



## **LESSON PLAN**

**THE POINT: GOD GIVES ME A DREAM**

**BIBLE STORY: JOSEPH AND THE COLOURFUL COAT**

**AGE: PREP - GRADE 2**

### **LEARNING OUTCOMES**

- Children will learn that God gives us a dream for our future
- They will also learn that even when life seems impossible, God is in control

### **AVAILABLE MATERIALS**

- Link Show Jr video
- Craft / activity
- Bible Colouring Booklet
- Discussion questions

### **MEMORY VERSE**

Ephesians 6:10 - Finally, let the strength of the Lord make you strong.

### **BIBLE CONTEXT**

In Genesis 37, Joseph has two dreams in which he sees himself and his brothers gathering grain, and the sun, moon, and eleven stars bowing down to him. These dreams were God's way of revealing Joseph's future and the important role he would play in his family's history.



## **LESSON PLAN**

**THE POINT: GOD GIVES ME A DREAM**

**BIBLE STORY: JOSEPH AND THE COLOURFUL COAT**

**AGE: PREP - GRADE 2**

### **DISCUSSION QUESTIONS**

1. God gave Joseph dreams about his future for when he grew up. What is something you dream of doing when you grow up?
2. Joseph was teased for believing in his dream from God so God encouraged him with another dream. How can we encourage others who might get teased?
3. We can trust God like Joseph did when he was put into an impossible situation. What is something you can trust God for?

### **PERSONAL LIFE APPLICATION**

Just like Joseph, God can give us dreams and visions to reveal His plans and purposes for our lives. When we have a dream or a sense of calling, we should seek God's wisdom and guidance through prayer and His Word. Even if others doubt or oppose our dreams, we can trust that God's promises are true and that He will fulfill His plans for us in His perfect timing. Let's commit to pursuing our dreams with faith and obedience, knowing that God is always with us and will guide us every step of the way.

### **PRAY**

Go around the class asking your kids if there is anything they would like prayer for. Ask if anyone would like to pray for each other, and give them the opportunity to. If not, then pray for the needs as the teacher / facilitator. Take note of any prayer requests to be passed onto your student support network.

### **LESSON WRAP-UP**

Take photos of any art created by your children that they would like to share with The Link Show. Images can be submitted to [thelinkshow@lmnetwork.com.au](mailto:thelinkshow@lmnetwork.com.au)



## **LESSON PLAN**

**THE POINT: GOD GIVES ME A DREAM**

**BIBLE STORY: JOSEPH AND THE COLOURFUL COAT**

**AGE: PREP - GRADE 2**

### Craft Instructions

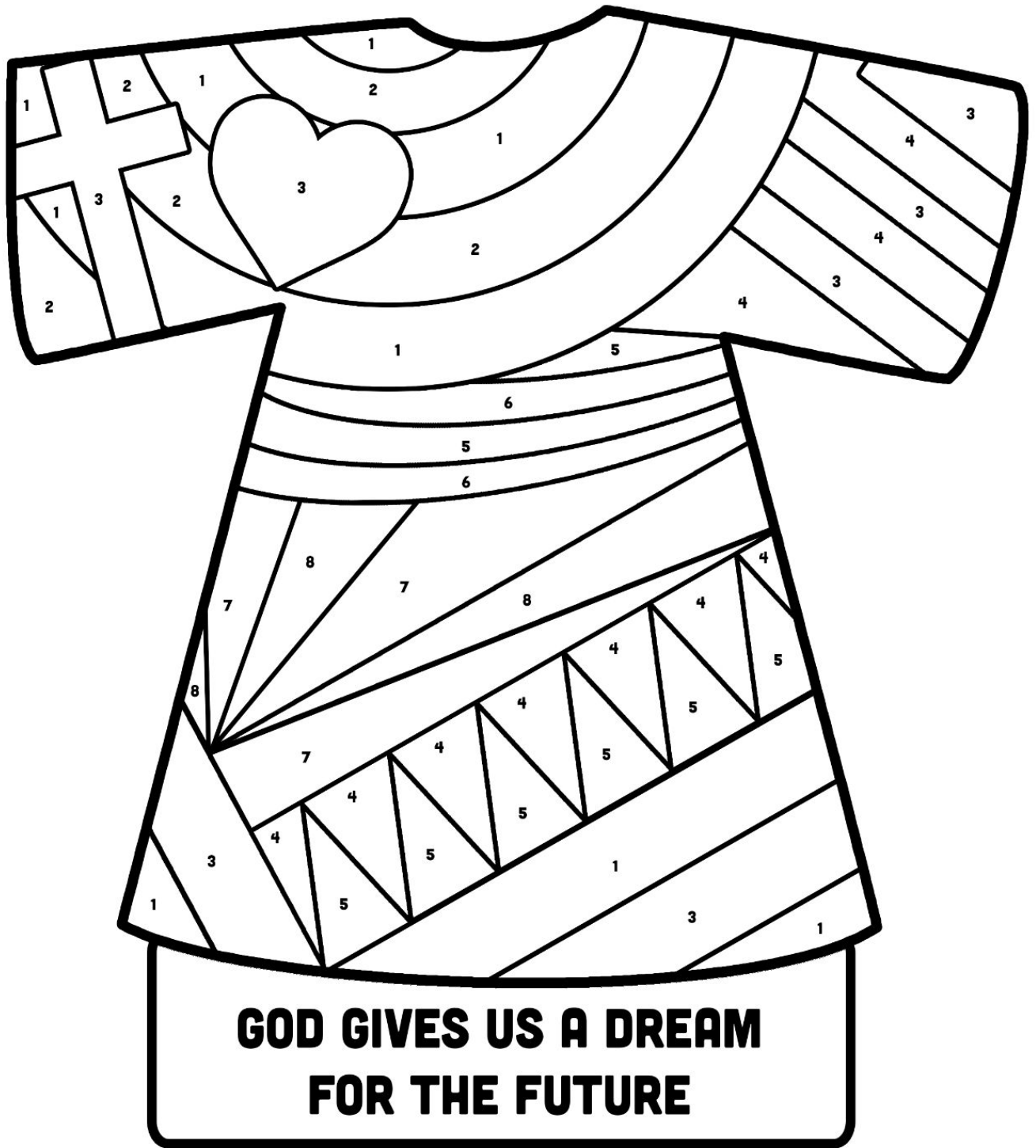
#### Materials:

- Colour by numbers print
- Paddle Pop Stick
- Colouring materials
- Glue / Tape

#### Steps:

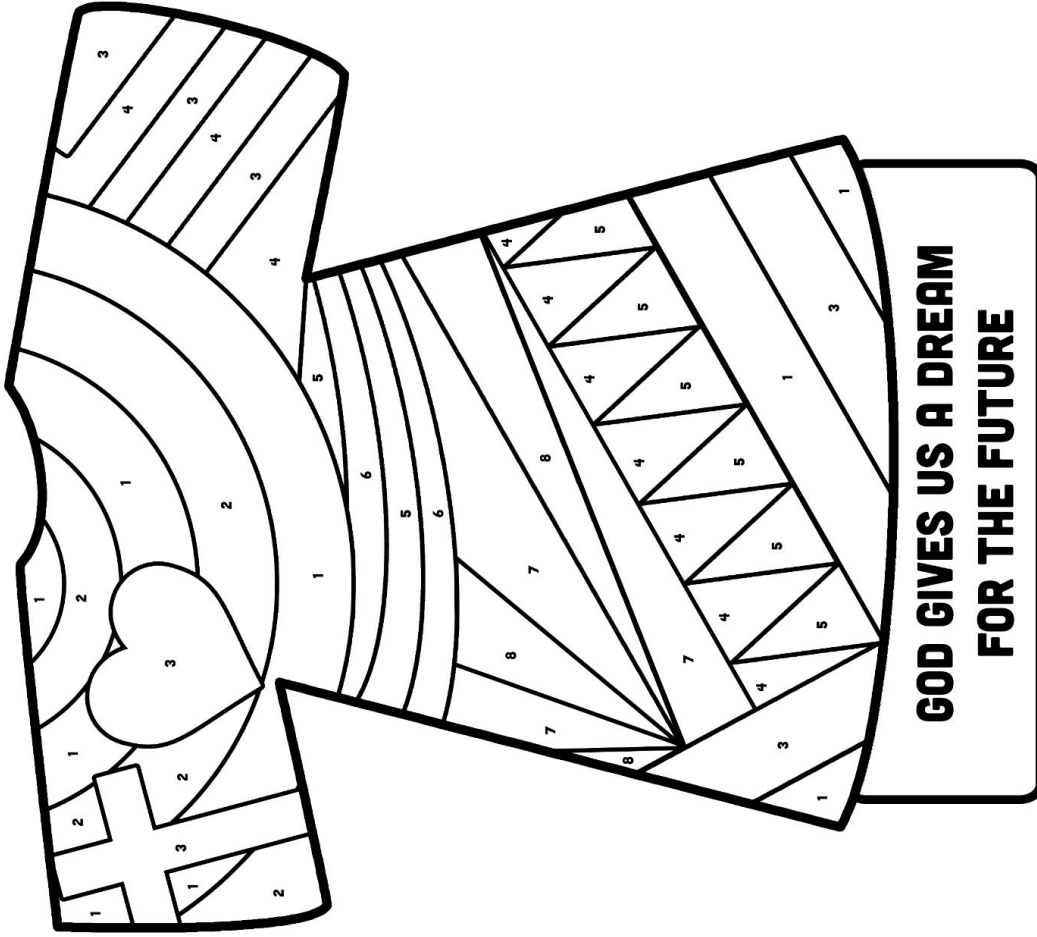
- Students colour their colour by numbers sheet
- Cut out the jacket and stick to a paddle pop stick





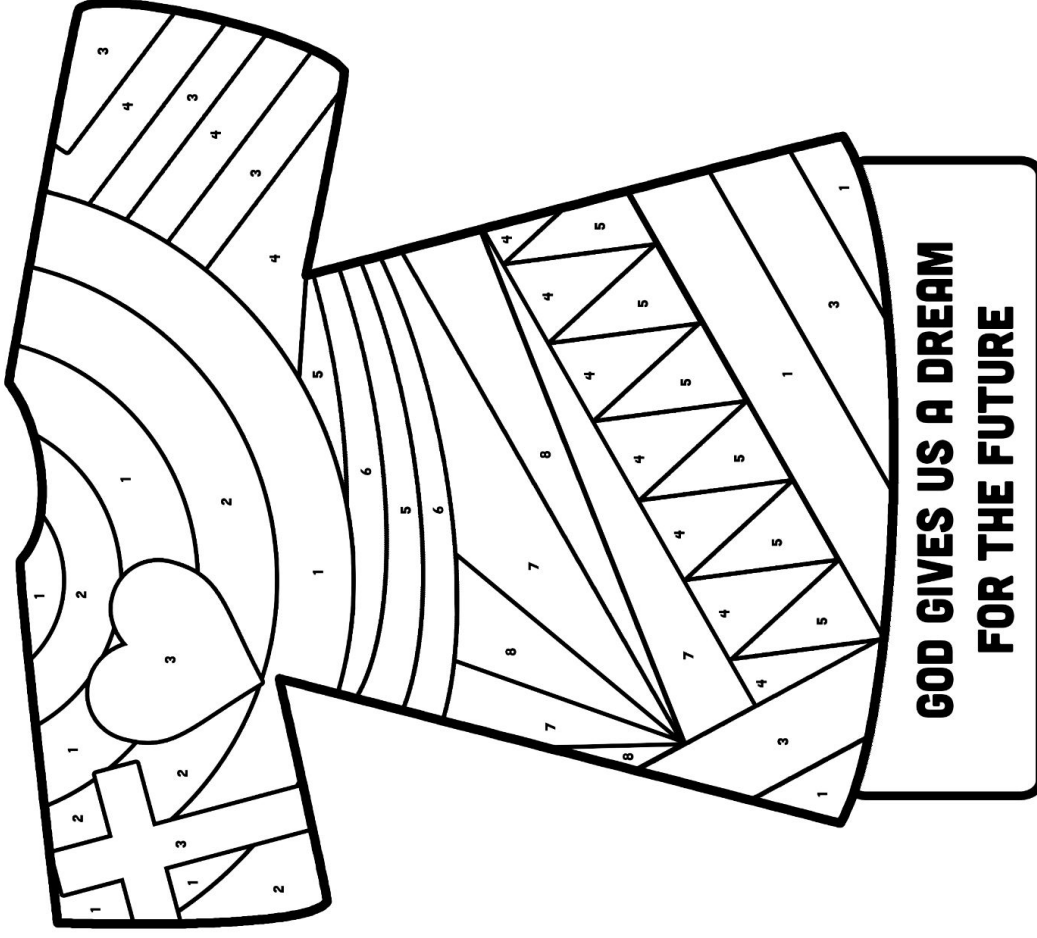
### JOSEPH COLOUR BY NUMBERS

- |                |               |
|----------------|---------------|
| 1 - RED        | 5 - PINK      |
| 2 - YELLOW     | 6 - PURPLE    |
| 3 - LIGHT BLUE | 7 - DARK BLUE |
| 4 - ORANGE     | 8 - GREEN     |



**JOSEPH COLOUR BY NUMBERS**

- 1 - RED
- 2 - YELLOW
- 3 - LIGHT BLUE
- 4 - ORANGE
- 5 - PINK
- 6 - PURPLE
- 7 - DARK BLUE
- 8 - GREEN



**JOSEPH COLOUR BY NUMBERS**

- 1 - RED
- 2 - YELLOW
- 3 - LIGHT BLUE
- 4 - ORANGE
- 5 - PINK
- 6 - PURPLE
- 7 - DARK BLUE
- 8 - GREEN